

QUICK  
POSSESSION

# THE LEONARD

1,656 SQ FT | 3 BED | 2.5 BATH

123 WALGROVE MANOR SE



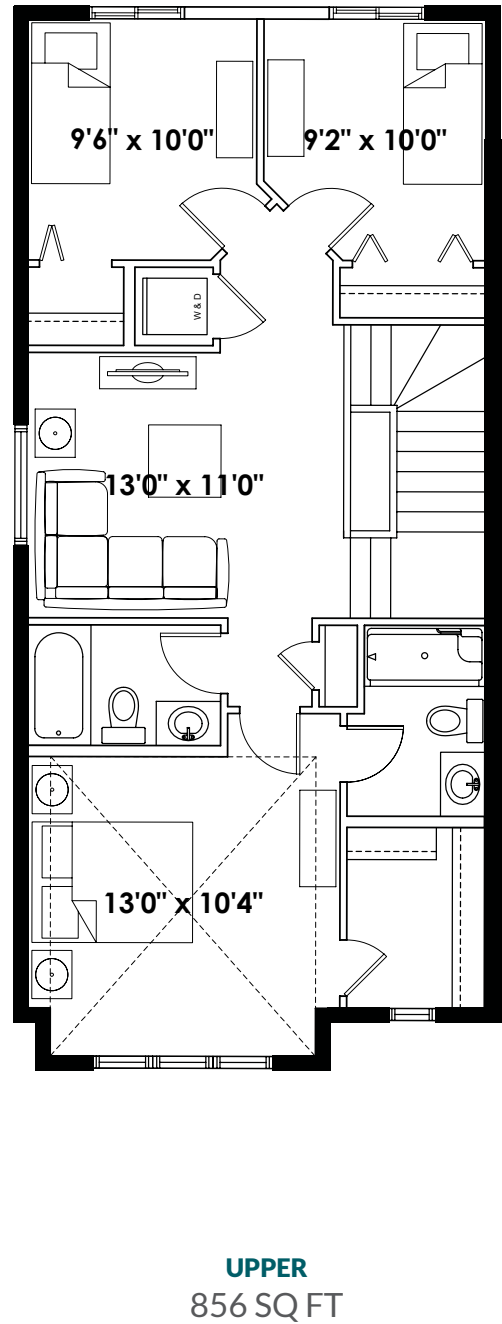
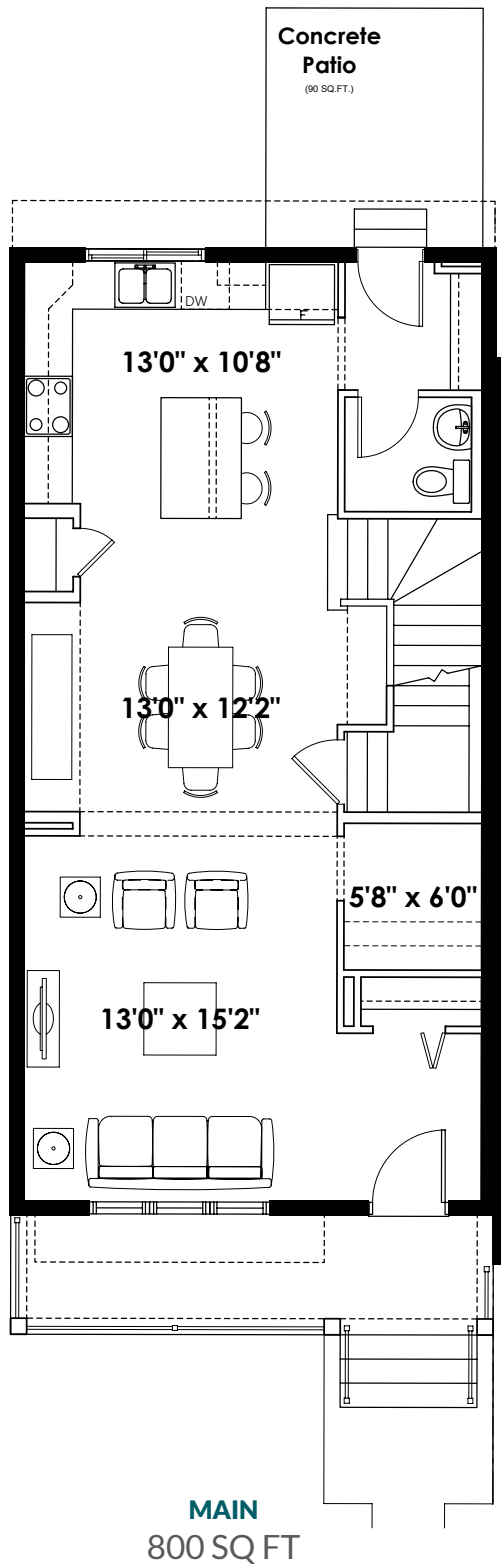
## THIS TOWNHOME HOME FEATURES

- No condo fee townhomes
- South back yard
- Directly across from park/greenspace
- Quartz kitchen counters
- 9' Knockdown main floor ceilings
- Rear deck/patio
- Framed rear parking pad
- LVP throughout main floor

BETTER VALUE BY DESIGN  
SINCE 1978 | HOMESBYAVI.COM

Homes by **AVI**

# FLOOR PLAN



For more information or to book an appointment please contact us at **403.536.7272**

Prices are subject to change without notice. Actual floor plan, elevation, and square footage may not be exactly as shown. Square footage is measured to Alberta Building Code (ABC) regulations. Builder reserves the right to make changes without notice. E&OE.

Homes by **AVI**